

funkwerk 
security communications

f.airnet 
DECT over IP System

The Compatible,
Modular Infrastructure
for Powerful Communication

f.airnet DECT over IP: the professional, modular communication system

The IP-based f.airnet DECT over IP system is the ideal platform for the implementation of a reliable, professional communication infrastructure—either as an IP telephone exchange with DECT mobility or as an enhancement to an existing system. A wide range of components will satisfy the most diverse requirements.

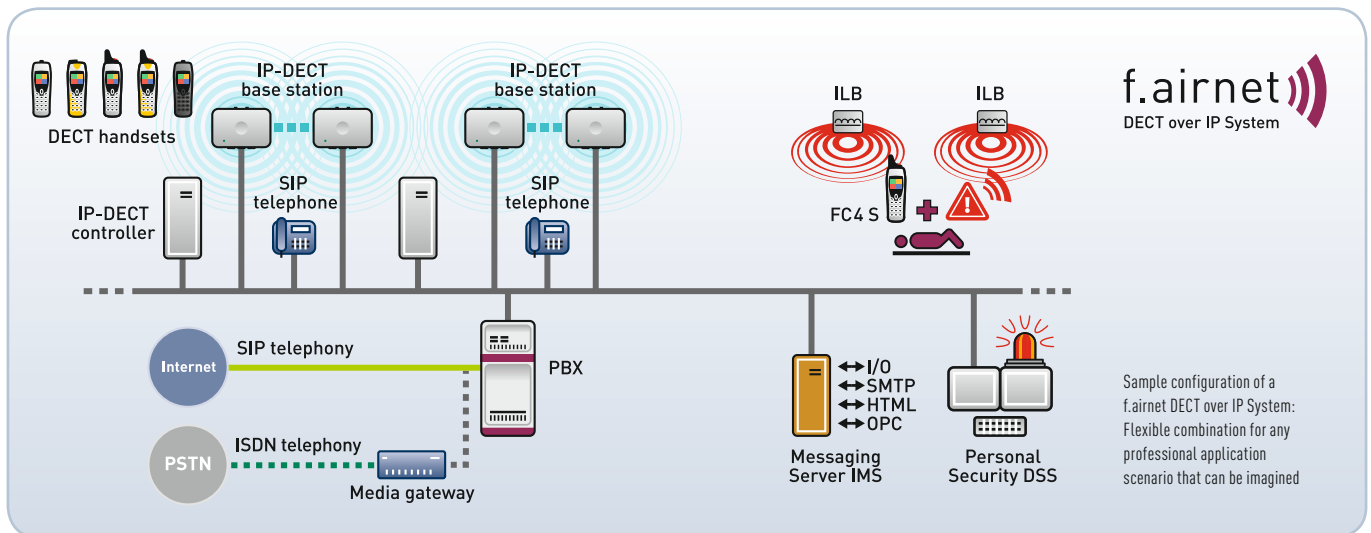
f.airnet DECT over IP enables flexible expansion as well as the integration of available products. Existing telephone systems thus can be enhanced with convenient DECT mobility—optionally expandable with proven funkwerk applications such as messaging, personal security and localisation. Even corded SIP telephones will pose no integration challenge.

Off-the-shelf DECT components such as the funkwerk D4 Office and funkwerk FC4-series devices can now be integrated in IP-based systems—providing maximum compatibility with greatly reduced maintenance overheads. In the case of existing DECT networks, f.airnet DECT over IP offers new possibilities for a convenient, flexible upgrade.

f.airnet DECT over IP Highlights

- ▶ High quality voice and data transmission using the same network
- ▶ Convenient integration in existing IP networks
- ▶ Flexible expansion of DECT radio networks
- ▶ Reduction of maintenance due to a completely IP-based infrastructure
- ▶ Integration of existing devices: funkwerk FC4 series, funkwerk D4 Office, and SIP telephones
- ▶ ATEX certification permits use in hazardous and explosive areas
- ▶ Expansion of voice applications by established applications:
 - ▷ Messaging (IMS)
 - ▷ Personal security (DSS)
 - ▷ Localisation (IOS)

DECT™



*f.airnet DECT over IP:
components for flexible expansion
— “grow as required”*

Digital PBXs

- DP100 up to 70 subscribers
- DP200 up to 240 subscribers
- DP600 up to 1,000 subscribers

IP DECT Controller

- DC100 up to 50 handsets
- DC200 up to 1,000 handsets

IP DECT Base Stations

- FB4 IPTP Connected by LAN
- FB4 IPFX Connected by fibre
- Indoor, outdoor, and ATEX variants available
- Power over Ethernet or external power supply

DECT handsets

- funkwerk FC4 series
- funkwerk FC4 Medical
- funkwerk D4 Office



*f.airnet DECT over IP:
a single solution for any
application scenario*



Retirement and nursing services



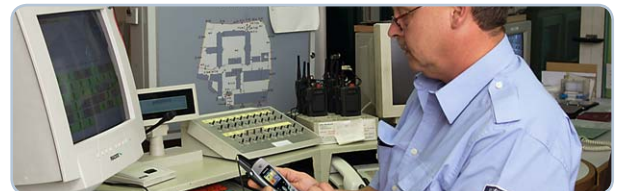
Doctors' practises, hospitals and clinics



Industry and plant security



ATEX industrial environments



Law-enforcement and public authorities

We offer individual, professional advice.

Based in Salzgitter, Funkwerk Security Communications GmbH is a leading manufacturer of professional security and communication solutions based on DECT, GSM and TETRA technologies for use in industry, nursing facilities and by public authorities.

We are specialists in personal emergency signal systems and have mature know-how in the development and production of devices for use in explosive atmospheres and which satisfy the requirements of the Employer's Liability Insurance Association in Germany.

Be safe—anywhere, anytime!

Specialised Solutions



Personal Security



Localisation



Explosion Protection



People Tracking



Messaging



Guard Round Control

Funkwerk Security Communications GmbH
Windmuehlenbergstr. 20-22
D-38259 Salzgitter

Phone: +49-5341 - 22 35-0

Fax: +49-5341 - 22 35-709

www.funkwerk-sc.com



For further information, please contact: